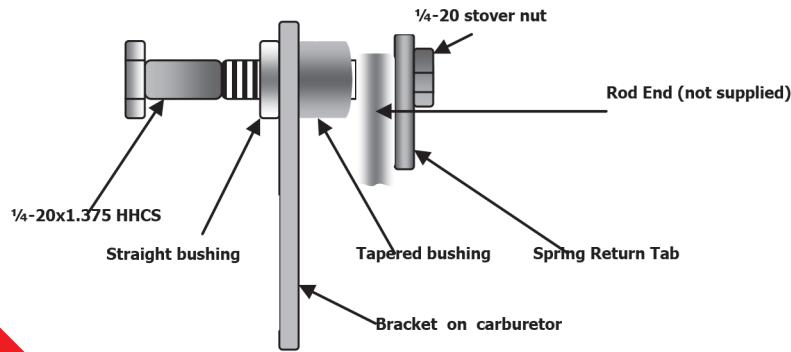


THROTTLE RETURN KIT INSTRUCTIONS

The red anodized spring bracket mounts on the top of the manifold (drivers side). The loop end of the spring is attached to the small holes in the spring return tab, and the straight end of the spring should be inserted through the holes in the red anodized spring bracket (after excessive slack is taken out, be sure to loop end of spring several times)

There are numerous possible application methods for the throttle return kit. The one you choose will be specific for your equipment.

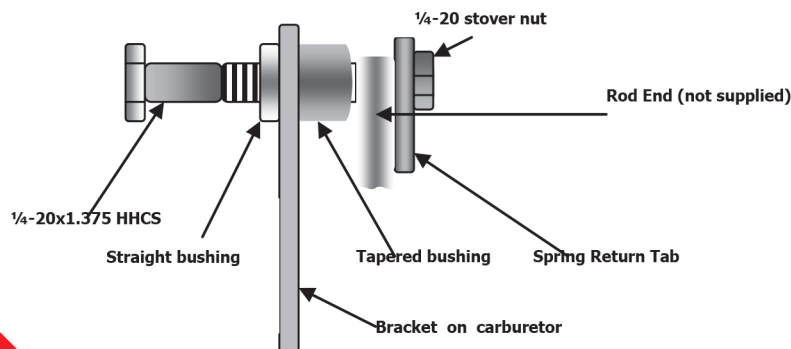


Longacre Racing Products
 977 Hyrock Blvd.
 Boonville, IN 47601

THROTTLE RETURN KIT INSTRUCTIONS

The red anodized spring bracket mounts on the top of the manifold (drivers side). The loop end of the spring is attached to the small holes in the spring return tab, and the straight end of the spring should be inserted through the holes in the red anodized spring bracket (after excessive slack is taken out, be sure to loop end of spring several times)

There are numerous possible application methods for the throttle return kit. The one you choose will be specific for your equipment.



Longacre Racing Products
 977 Hyrock Blvd.
 Boonville, IN 47601